



Lectern Series



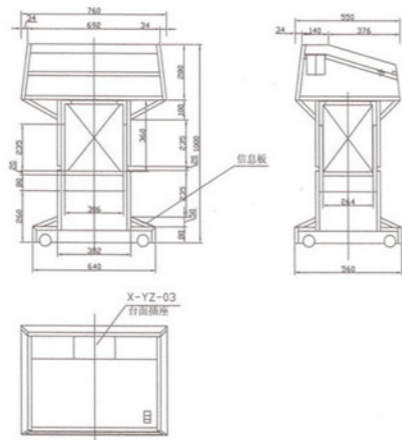
LCD Lectern lift



15" or 17"

UDLS-110

- LCD lift and Lectern lift Function
- May lay aside the computer and RF control
- Control mode: Manual control and RF control
- Power Require: 220V 50/60Hz
- Load Weight: 50Kg
- Power: 15W
- Motion distance: 200mm



Lectern lift



UDLS-100

- lift Function
- Control mode: Manual control and RF control
- Power Require: 220V 50/60Hz
- Load Weight: 50Kg
- Power: 15W
- Motion distance: 200mm

Lectern lift



UDS-80B

- Lift Function -
- Control mode: Manual control and RF control -
- Power Require: 220V 50/60Hz -
- Load Weight: 20Kg -
- Power: 15W -
- Motion distance: 250mm -

Table Lift Series



UDS-80A

Lectern Series

- LCD Monitor and Lectern Function -
- May lay aside the computer -
- 1 Gooseneck Microphone -
- Keyboard -



UDT-A

Lectern Series

- LCD Monitor and Lectern Function -
- May lay aside the computer -
- 1 Gooseneck Microphone -
- Keyboard -
- 1 Box -



UDT-B



Lectern with Wireless VHF T-6236B



T-6236A

T-6236A

Lectern with Wireless VHF and Dynamic Mic

The Podium, lectern, portable pa system, wireless pa system, portable amplifier is suitable for meeting room, conference room, hotel, school

The lectern with audio system can provide an integrated sound system for meeting room

The podium, lectern are built-in 60W amplifier, speaker, 2 gooseneck mic and 2 wireless microphones.

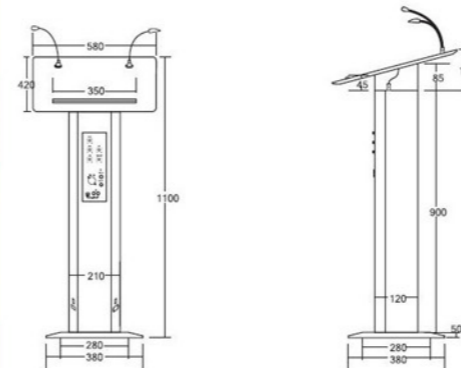
The PA lectern can work with PA system and conference system

- (Built-in 60W Amplifier, 4 Speaker, 1 Gooseneck Microphone and 1 Lamp + 2 VHF Wireless Mic)

- (Built-in 60W Amplifier, 4 Speaker, 1 Gooseneck Microphone and 1 Lamp + Daynamic Mic)



T-6236B



T-6236 Lectern or Podium

- (Built-in 60W Amplifier, 4 Speaker, 1 Gooseneck Microphone and 1 Lamp)



T-6236

Agent: